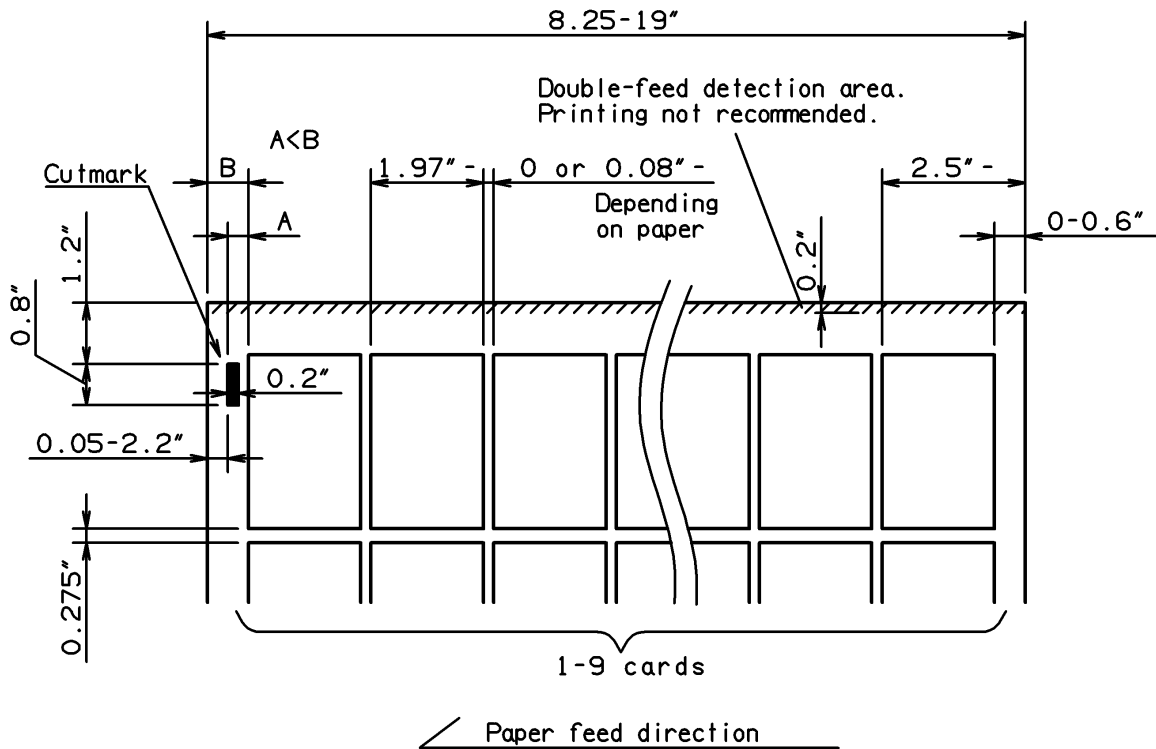


AeroCut nano

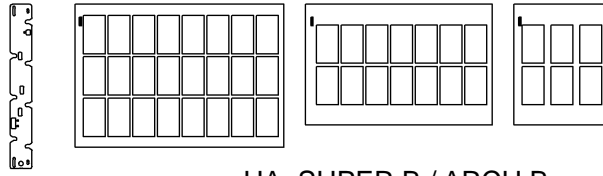
TEMPLATE [inch]

GENERAL TEMPLATE



Contents

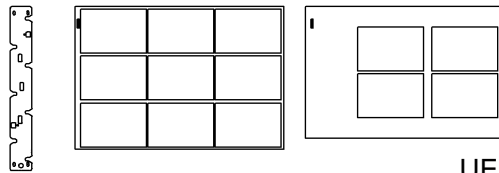
InstaSet bar **UA/UB**



UA: SUPER B / ARCH B → Business Card 3.5"  Page 3

UB: LEDGER / LETTER → Business Card 3.5"  Page 4

InstaSet bar **UE/UF**




UE: SUPER B → Postcard 4"  Page 5

DU: ARCH B → Postcard 4"  Page 6

BTO InstaSet bar

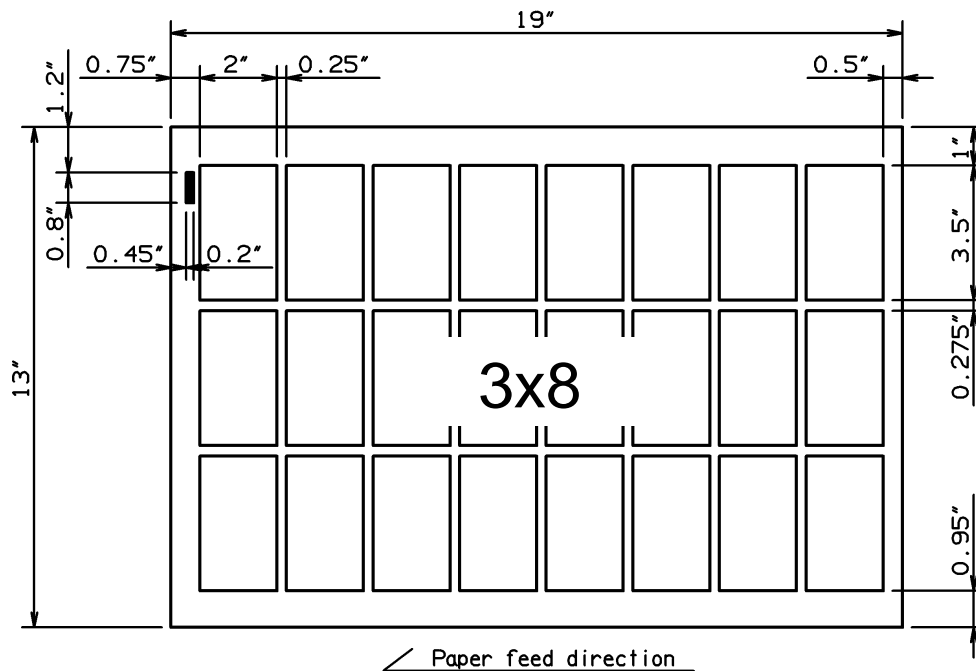


Build to Order bar  Page 7

InstaSet bar UA Business Card 3.5"

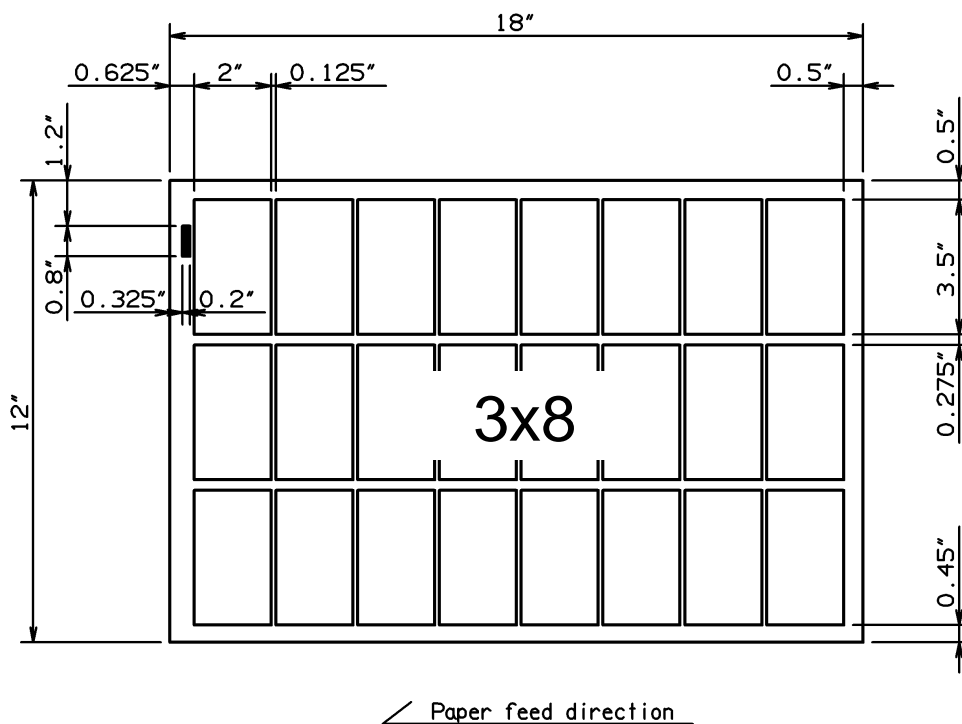
SUPER B → Business Card 3.5"x2"

PRESET > SUPER B > BUSINESS CARD 2"



ARCH B → Business Card 3.5"x2"

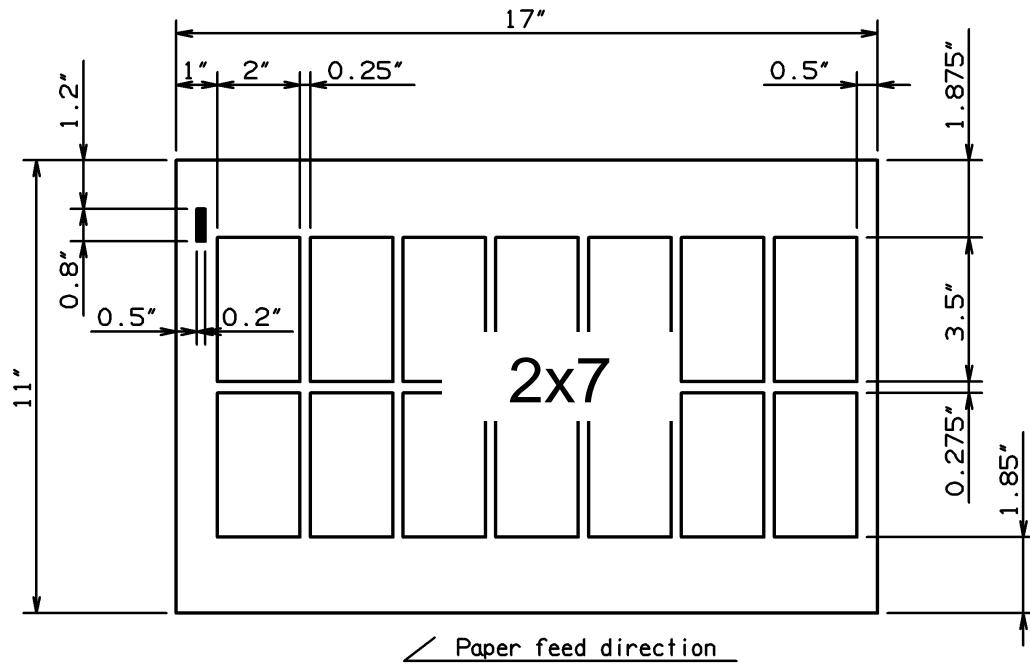
PRESET > ARCH B > BUSINESS CARD 2"



InstaSet bar UB Business Card 3.5"

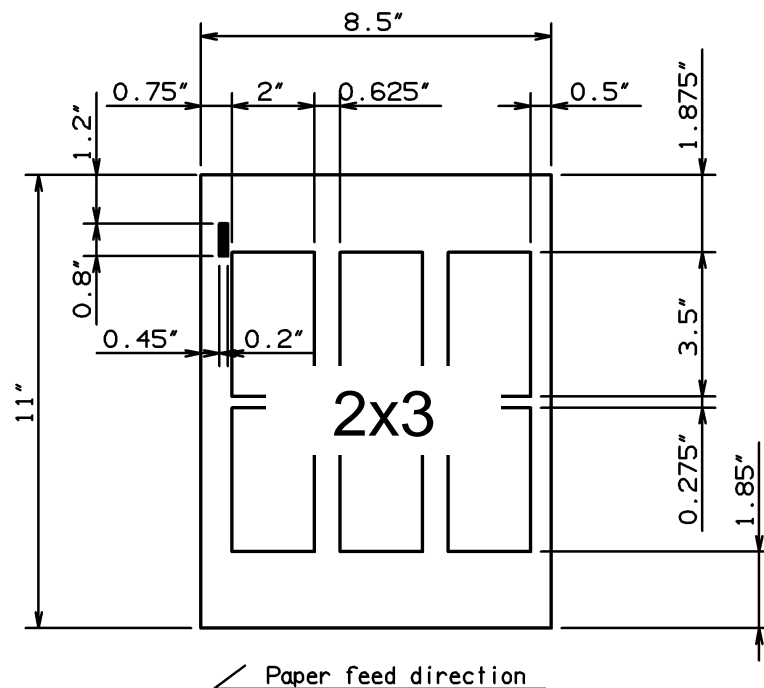
LEDGER (TABLOID) → Business Card 3.5"x2"

PRESET > LEDGER > BUSINESS CARD 2"



LETTER → Business Card 3.5"x2"

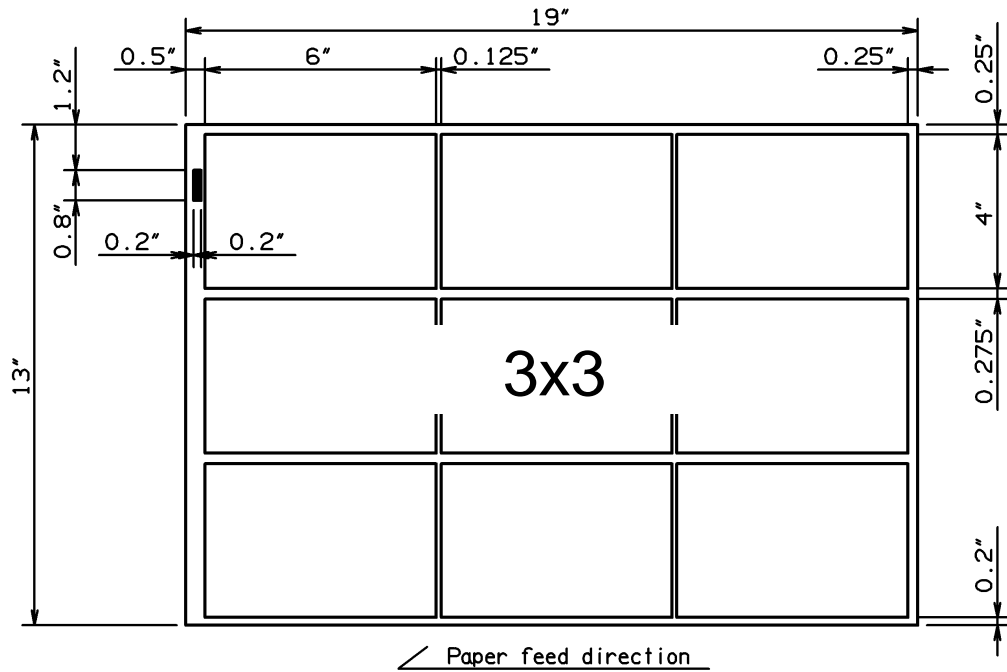
PRESET > LETTER > BUSINESS CARD 2"



InstaSet bar UE Postcard 4"

SUPER B → Postcard 4"x6"

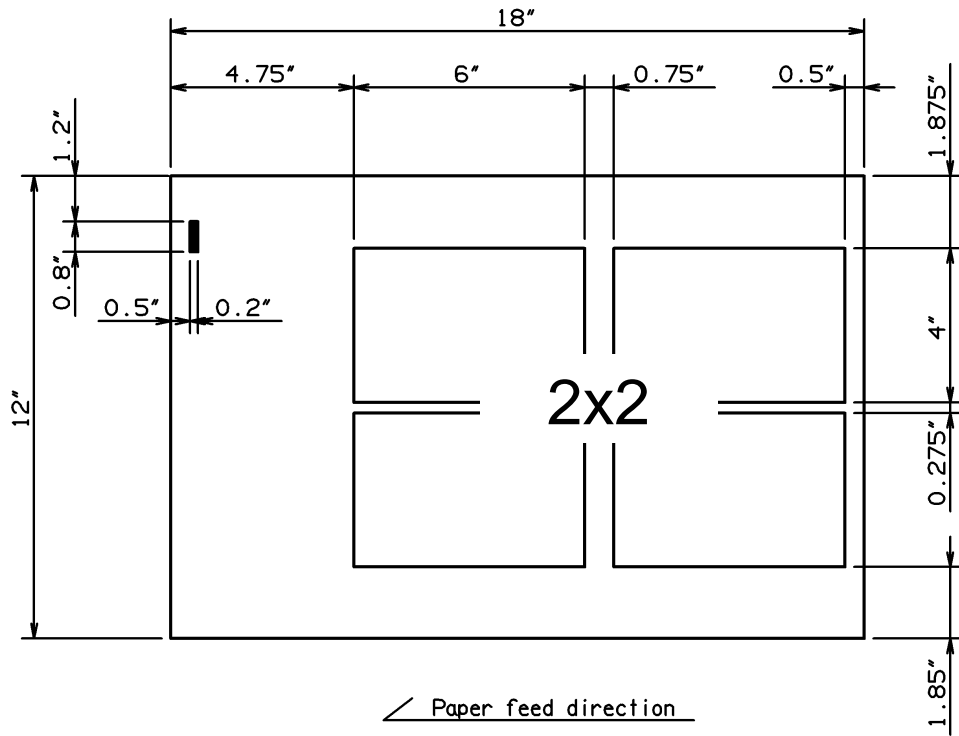
PRESET > SUPER B > POSTCARD



InstaSet bar UF Postcard 4"

ARCH B → Postcard 4"x6"

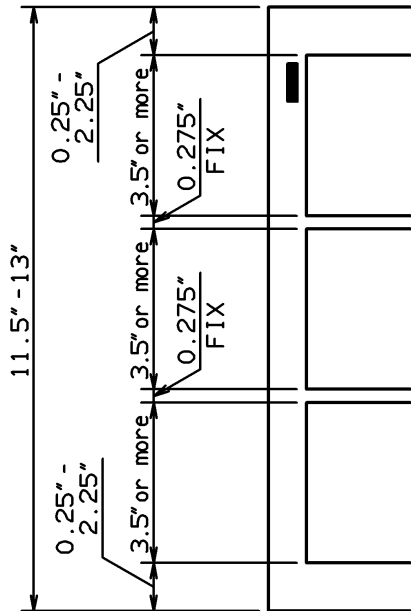
PRESET > ARCH B > POSTCARD



BTO TEMPLATE

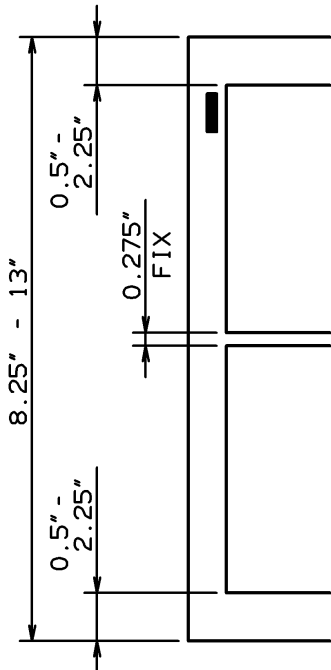
Maximum input paper size (Depth direction x feed direction)	13" x 19"
Minimum input paper size (Depth direction x feed direction)	8.25" x 8.25"
Minimum output size (Depth direction x feed direction)	3.5" x 2"
Paper weight	32 lbs (Bond) – 130 lbs (Cover stock) (120-350g/m ²)

3 LINES

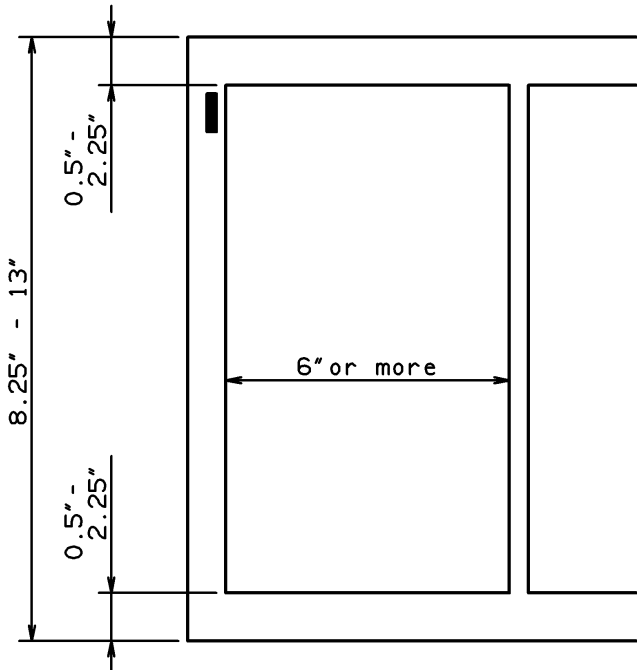


↙ Paper feed direction

2 LINES



1 LINE



↙ Paper feed direction