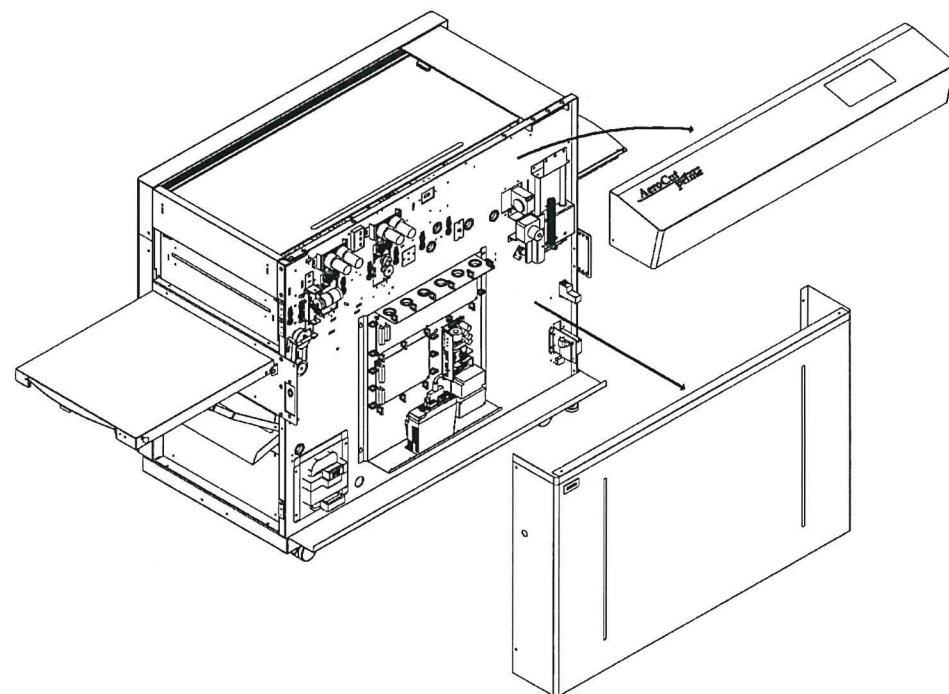


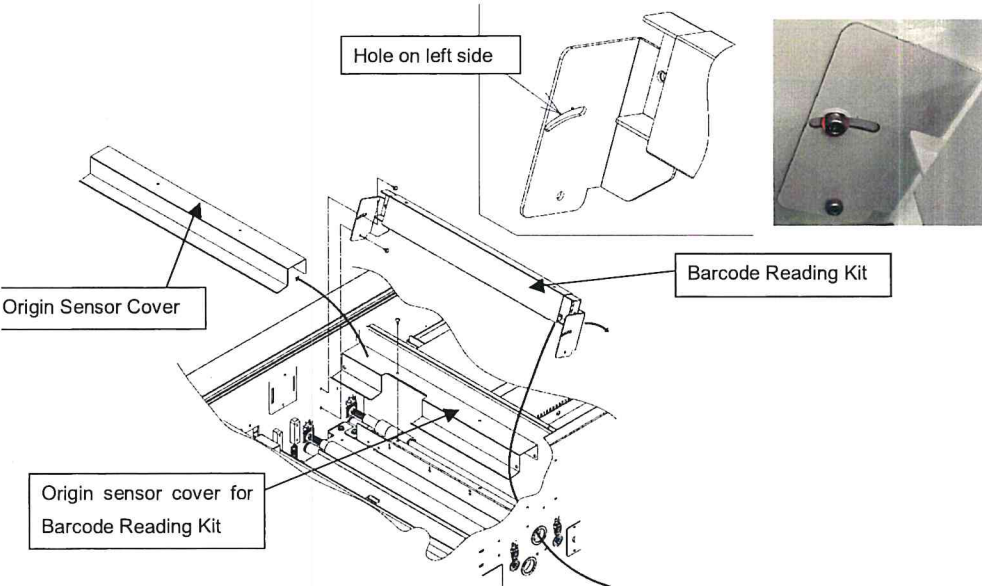
AeroCut Prime/One/Velocity Barcode reader

INSTRUCTION MANUAL

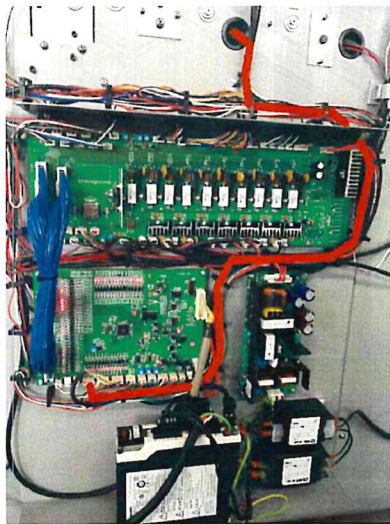
- ① Remove the cover.



- ② Replace the Origin Sensor Cover with the Origin Sensor Cover for the Barcode Reading Kit, and attach the Barcode Reading Kit to the machine. Fix the Barcode Reading Kit so that a hole on left side will be placed towards the top. Position should be as below picture.



Connect the cables according to the red line as shown on below picture.
The Barcode Reading Kit should be connected to CN19 on the CPU board.



- ③ Attach all covers and turn on power. If the Barcode Reading Kit is connected properly, BARCODE switch will be indicated on the main screen.

