

# AEROCUT X PRO

Air feed slitter / cutter / creaser / perforator / cross perforator / jump perforator / digital print finishing system

## Specifications

Speed, sheets per minute*	34
Sheet capacity, inches*	4
Paper weight*	120 - 400 gsm
Paper size, inches**	8.27 x 8.27 to 14.5 x 47.2
Power supply	100 - 120 V, 50/60 Hz
Dimensions (D x W x H), inches	28 x 46.3 x 42.3
Weight, pounds	639

\*May vary due to variations in paper and power supply

\*\*Flex mode



## ROBUST SLITTERS AND CUTTERS

The self-sharpening slitter and blade unit allows the machine to cut up to 400 gsm.



From Print to Finishing,  
we have you covered.



Introducing the Print Finishing Success Program by Lytrod. Let us help drive you to success. Learn more at Lytrod.com



## INTUITIVE OPERATION

The 10" touch screen allows operators to set job programs and run the machine intuitively and instantly.



## EXPANDABLE FEED TRAY

Expandable tray is capable of feeding stocks up to 29.5" in length. The stacking capacity is 4".



## EASY MAINTENANCE

The X Pro has detachable rollers, not only making cleaning easy, but it gives better access to components in case of a paper jam.

## PATENTED FEEDING MECHANISM

The patented Tri-suction Feeding Mechanism reduces risks of double feeds and mis-feeds drastically, which prevents paper jams and enhances productivity.



[WWW.MBMCORP.COM](http://WWW.MBMCORP.COM)

TEL: 843-552-2700

[WWW.IDEAL-MBM.COM](http://WWW.IDEAL-MBM.COM)

TEL: 800-387-2528

All technical data is approximate and subject to change. © MBM Corporation, 31524  
\*Lytrod's Intellicut software comes included with a 1 year license.

# AEROCUT X PRO

Air feed slitter / cutter / creaser / perforator / cross perforator / jump perforator / digital print finishing system

## Description

The AeroCut X Pro is an all in one, user friendly machine for slitting, creasing, cutting and perforating. It features a 10" color touch screen with a flexible arm that greatly improves visibility and operability, while delivering the highest processing speed ever in the AeroCut series. The renewed user interface is even more intuitive, and helps automate the digital print finishing environment. The X Pro is an ideal solution for any digitally printed applications, such as business cards, post cards, invitations, greeting cards, leaflets, tickets and more.

Most paper printed on today's digital printers can easily be finished on the AeroCut X Pro. The expandable feed tray can accommodate paper up to 29.5" in length (program can accept up to 63") which allows users to create new aspects of applications. The patented Tri-suction Feeding Mechanism does not require complicated double feed adjustments. Just set paper, select the volume of air, and the paper will be fed consistently. It also helps to prevent the machine from stopping due to double feed or paper jams. The ultrasonic sensor precisely checks for double feeds, even if the machine is fed black or colored paper.

The cutting unit is equipped with an ionizer to reduce static electricity. This prevents paper strips from remaining on the blade, or causing paper jams or damage to the blade. The AeroCut X Pro features both a cross and jump perforation unit. With the jump perf unit, it can perforate at any position using the jump function along the feeding direction. It adds creative value to printed items, such as tickets and flyers with coupons. The newly developed crease mode accelerates processing speed. The maximum production speed reaches 4,080 sheets per hour (with one crease on 8.5"x11" paper), which results in both high quality and time savings. Creasing pressure can be adjusted in 5 levels instantly by shifting the lever.

The new ejection pause function allows the first card to be paused at the machine's eject port. This feature helps an operator to place the card guide plates exactly where they should be according to the card width. The stacker wire prevents cards from flipping over when ejected. It ensures perfect stacking of business and postcards. The conveyor stacker aligns ejected cards from the AeroCut X Pro onto the belt which helps an operator to sort and collect the output easily, especially in high volume operations.

AeroCut X Pro can read barcodes printed on the leading edge of prints. Its check function alerts the operator when it detects a mismatch between the print and machine settings. The change function automatically adjusts the machine settings according to the barcode scanned and the job recalled. These functions can be switched according to the occasion. The X Pro comes with a PC software (Lytrud Intellicut\*) that allows operators the ability to impose, format, and add personalized information to documents for fast and efficient finishing. Job programs are sent to the AeroCut through ethernet. The AeroCut X Pro has detachable rollers, not only making cleaning easy, but it gives better access to components in case of a paper jam. Similarly, each perforation and creasing unit can be removed too.



Intellicut integrates PDF imposition, AeroCut programming and the PC Controller into a single PC software workflow. Simply add your artwork and create imposed PDF print files with a barcode that automatically meet AeroCut layout requirements. Intellicut also programs the AeroCut template settings through a LAN connection.

## The Print Finishing Success Plan

- ✓ **Pre-Press**
  - Determine integrity of Intellicut output
  - Application re-creation and troubleshooting
- ✓ **Print**
  - Determine integrity of printed output
  - Review digital front-end settings
  - Print job evaluation
- ✓ **Finishing**
  - Walkthrough AeroCut calibration and image shift profile strategies to improve cut alignment and accuracy

**MBM**  
CORPORATION

  
**IDEAL.MBM**  
CORPORATION

[WWW.MBMCORP.COM](http://WWW.MBMCORP.COM)  
TEL: 843-552-2700

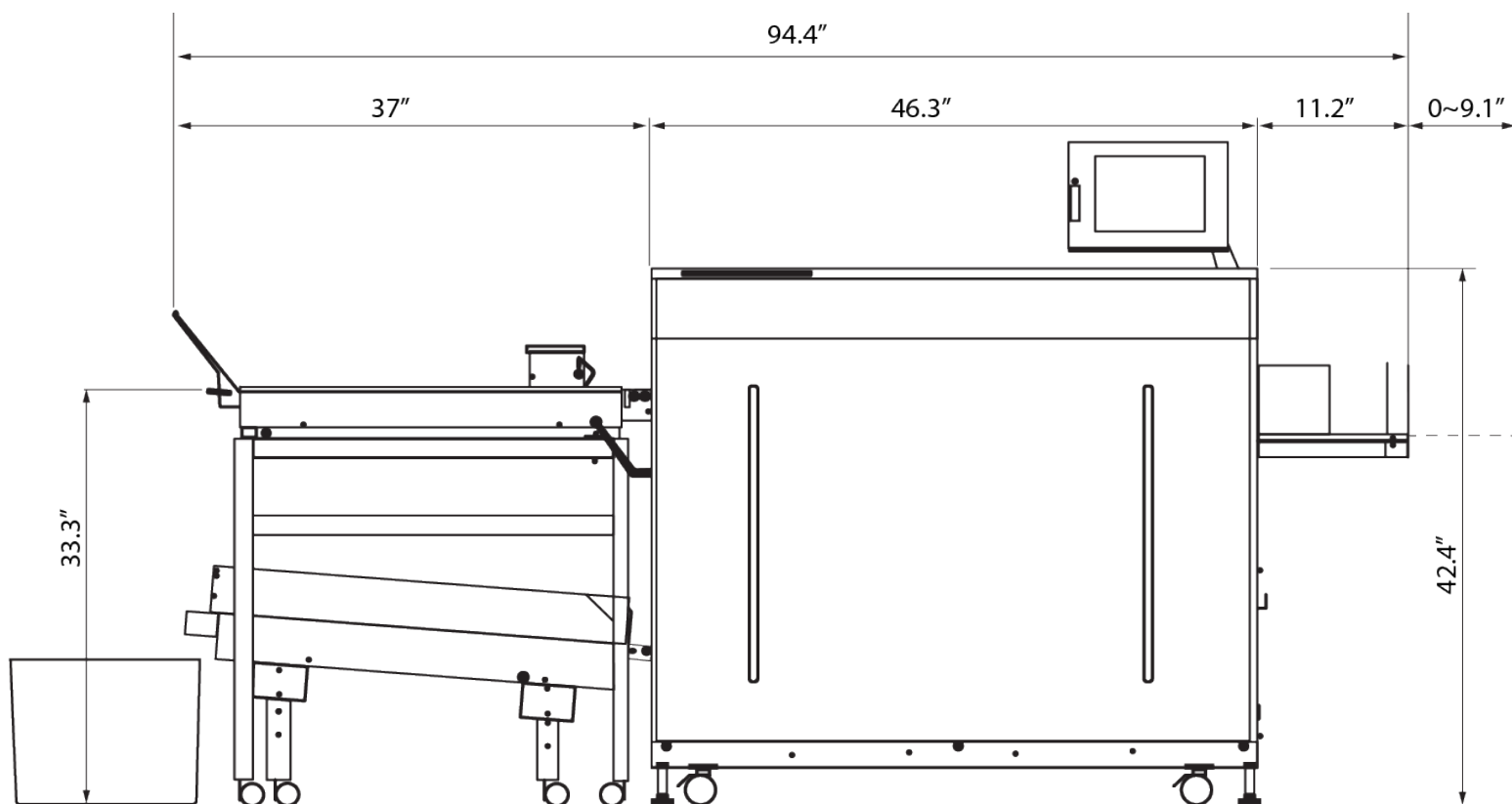
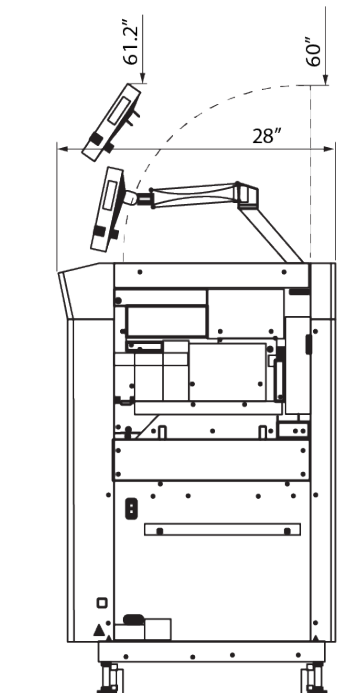
[WWW.IDEAL-MBM.COM](http://WWW.IDEAL-MBM.COM)  
TEL: 800-387-2528

All technical data is approximate and subject to change. © MBM Corporation, 31524  
\*Lytrud's Intellicut software comes included with a 1 year license.

# AEROCUT X PRO

Air feed slitter / cutter / creaser / perforator / cross perforator / jump perforator / digital print finishing system

## Dimensions



**MBM**  
CORPORATION

  
**IDEAL.MBM**  
CORPORATION

[WWW.MBMCORP.COM](http://WWW.MBMCORP.COM)  
TEL: 843-552-2700

[WWW.IDEAL-MBM.COM](http://WWW.IDEAL-MBM.COM)  
TEL: 800-387-2528

All technical data is approximate and subject to change. © MBM Corporation, 31524  
\*Lyrod's Intellicut software comes included with a 1 year license.